



## FAN GUARD 鐵網

|               |    |
|---------------|----|
| FG04 - 40mm   | 1  |
| FG06 - 60mm   | 2  |
| FG08 - 80mm   | 3  |
| FG08F - 80mm  | 4  |
| FG09 - 90mm   | 5  |
| FG012 - 120mm | 6  |
| FG12F - 120mm | 7  |
| FG16 - 160mm  | 8  |
| FG17 - 170mm  | 9  |
| FG17L - 170mm | 10 |
| FG20 - 200mm  | 11 |
| FG21 - 210mm  | 12 |
| FG25 - 250mm  | 13 |
| FG28 - 280mm  | 14 |

Head Office : No. 6-6-3, Gushan 3rd Rd., Gushan District,  
Kaohsiung City 804, Taiwan (R.O.C.)

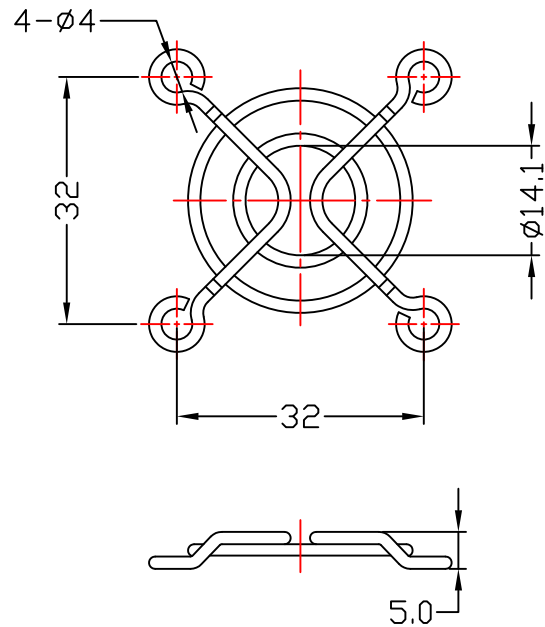
Export Dep : Rm 06,B1F., No 321, Dadun 4th St., Nantun  
Dist., Taichung City 408, Taiwan (R.O.C.)

Head Office Tel : 886-7-532 5777 Fax : 886-7-532 6777  
Export Dep : 886-4-24718676

**E-mail: [sales@chanyu.com.tw](mailto:sales@chanyu.com.tw)**



|    |     |      |      |    |
|----|-----|------|------|----|
| 版次 | 年月日 | 變更事項 | 變更通知 | 核准 |
|    |     |      |      |    |



NOTES(注):

1.MATERIAL: BRIGHT BASIC WIRE.

(1.材質:光澤金屬線)

2.FINISH: BRIGHT NICKEL CHROME.

(2.處理: 表面光澤電鍍)

3.(1)RINGS(環圈) ARE  $\phi$  1.6mm.

(2)RIBS(支架) ARE  $\phi$  1.6mm.

4.GENERAL TOLERANCE UNLESS NOTED:  $\pm 0.5$ mm.

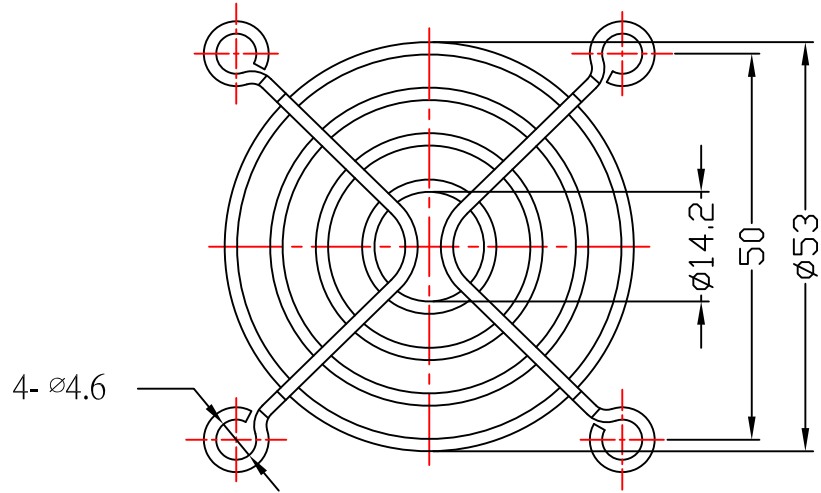
(4.未標注公差為:  $\pm 0.5$ mm)

5.UNIT(單位):mm.

|             |        |                |           |                |           |          |
|-------------|--------|----------------|-----------|----------------|-----------|----------|
|             |        | 材質<br>MATERIAL | SEE NOTES | 品名<br>TITLE    | FAN GUARD |          |
| 尺度<br>SCALE | 1<br>1 | 處理<br>FINISH   | SEE NOTES | 圖號<br>PART NO. | CY-FG04   | 0<br>REV |

Chan Yu Technology Co., Ltd

| 版次<br>EDITION | 年月日<br>DATE | 變更事項<br>REVISION RECORD | 變更通知<br>REVISION NO. | 核准<br>APPROVED |
|---------------|-------------|-------------------------|----------------------|----------------|
|               |             |                         |                      |                |



NOTES(注):

1.MATERIAL: BRIGHT BASIC WIRE.

(1.材質:光澤金屬線)

2.FINISH:BRIGHT NICKEL CHROME.

(2.處理: 表面光澤電鍍)

3.(1)RINGS(環圈) ARE  $\phi$  1.6mm.

(2)RIBS(支架) ARE  $\phi$  1.6mm.

4.GENERAL TOLERANCE UNLESS NOTED: $\pm$ 0.5mm.

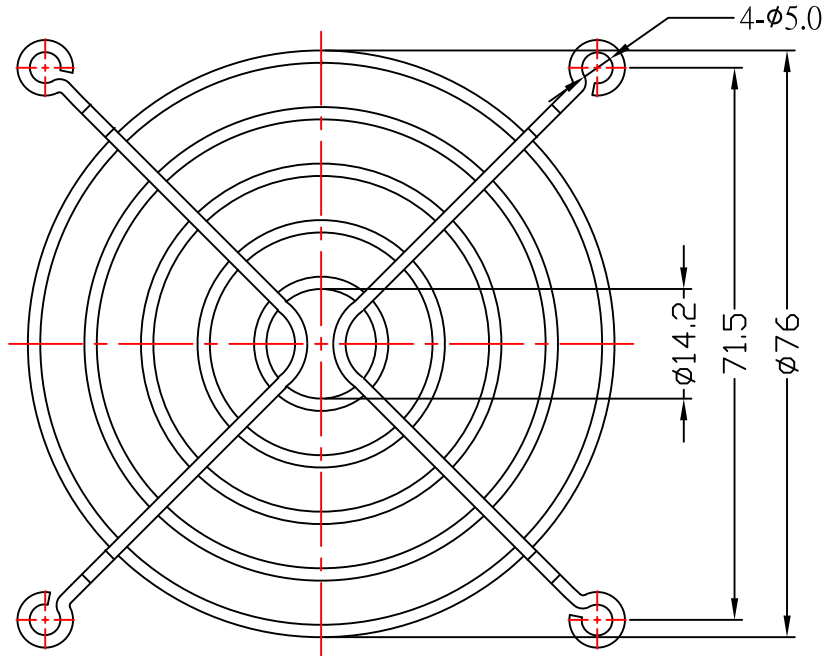
(4.未標注公差為:  $\pm$ 0.5mm)

5.UNIT(單位):mm.

|             |     |                |           |                |           |          |
|-------------|-----|----------------|-----------|----------------|-----------|----------|
|             |     | 材質<br>MATERIAL | SEE NOTES | 品名<br>TITLE    | FAN GUARD |          |
| 尺度<br>SCALE | 1/1 | 處理<br>FINISH   | SEE NOTES | 圖號<br>PART NO. | CY-FG06   | 0<br>REV |

Chan Yu Technology Co., Ltd

|               |             |                         |                      |                |
|---------------|-------------|-------------------------|----------------------|----------------|
| 版次<br>EDITION | 年月日<br>DATE | 變更事項<br>REVISION RECORD | 變更通知<br>REVISION NO. | 核准<br>APPROVED |
|               |             |                         |                      |                |



NOTES(注):

1.MATERIAL: BRIGHT BASIC WIRE.

(1.材質:光澤金屬線)

2.FINISH:BRIGHT NICKEL CHROME.

(2.處理: 表面光澤電鍍)

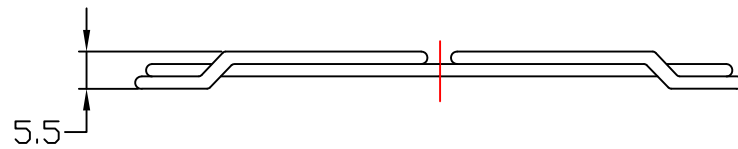
3.(1)RINGS(環圈) ARE  $\phi$  1.8mm.

(2)RIBS(支架) ARE  $\phi$  1.8mm.

4.GENERAL TOLERANCE UNLESS NOTED: $\pm$ 0.5mm.

(4.未標注公差為:  $\pm$ 0.5mm)

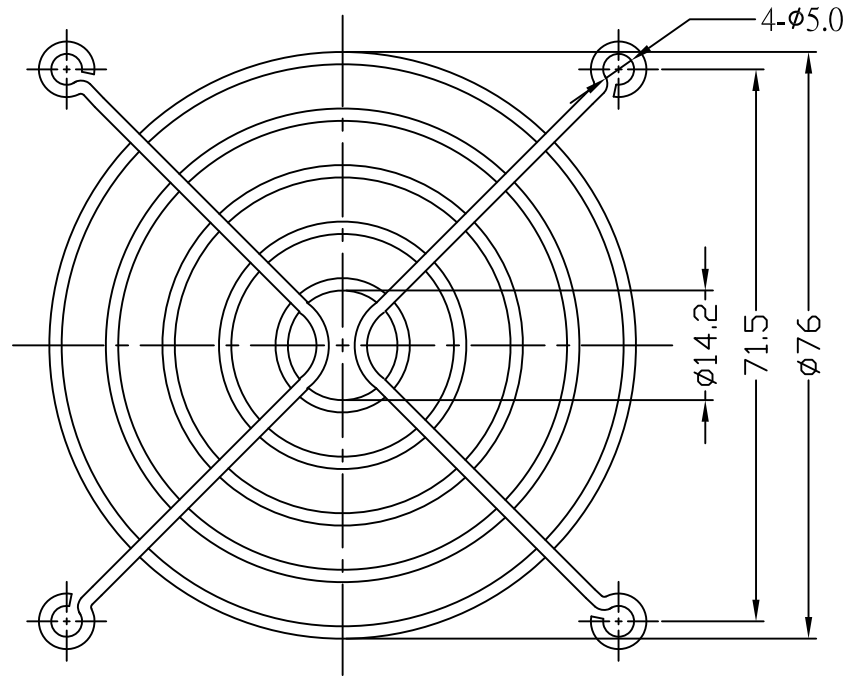
5.UNIT(單位):mm.



|             |     |                |           |                |           |          |
|-------------|-----|----------------|-----------|----------------|-----------|----------|
|             |     | 材質<br>MATERIAL | SEE NOTES | 品名<br>TITLE    | FAN GUARD |          |
| 尺度<br>SCALE | 1/1 | 處理<br>FINISH   | SEE NOTES | 圖號<br>PART NO. | CY-FG08   | 0<br>REV |

Chan Yu Technology Co., Ltd

| 版次<br>EDITION | 年月日<br>DATE | 變更事項<br>REVISION RECORD | 變更通知<br>REVISION NO. | 核准<br>APPROVED |
|---------------|-------------|-------------------------|----------------------|----------------|
|               |             |                         |                      |                |



NOTES(注):

1.MATERIAL:BRIGHT BASIC WIRE.

(1.材質:光澤金屬線)

2.FINISH:BRIGHT NICKEL CHROME.

(2.處理:表面光澤電鍍)

3.(1)RINGS(環圈) ARE  $\phi$  1.8mm.

(2)RIBS(支架) ARE  $\phi$  1.8mm.

4.GENERAL TOLERANCE UNLESS NOTED: $\pm$ 0.5mm.

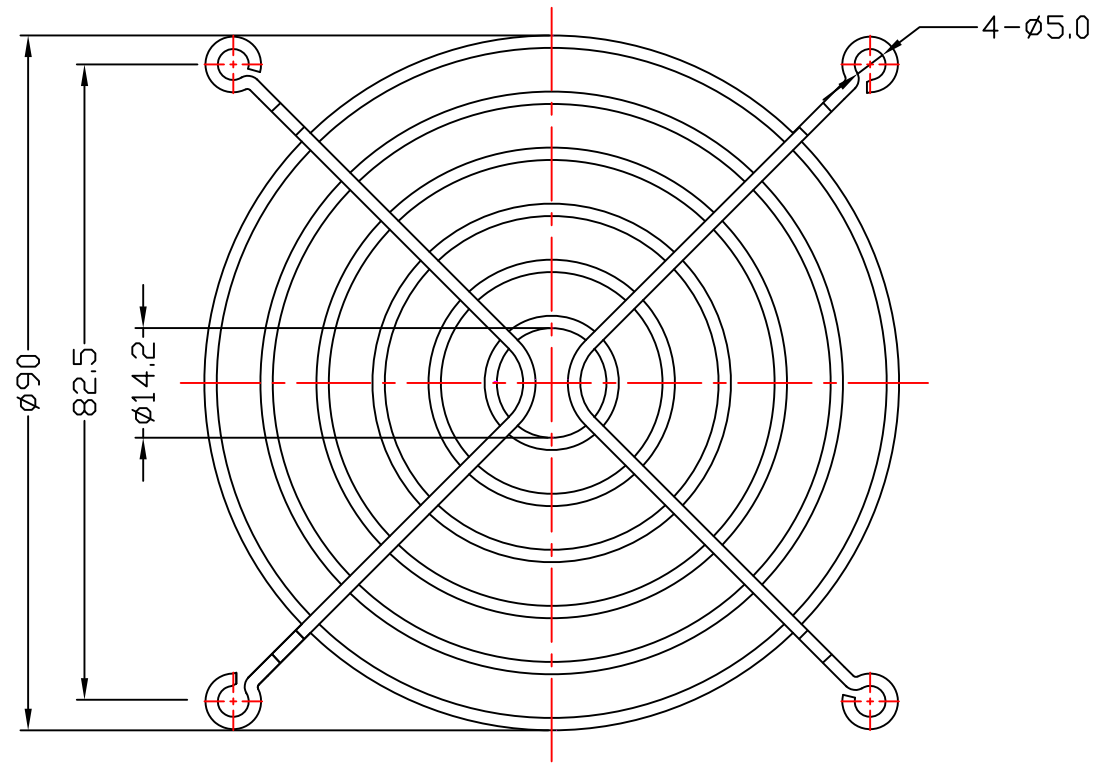
(4.未標注公差為: $\pm$ 0.5mm)

5.UNIT(單位):mm.

|             |     |                |           |                |            |
|-------------|-----|----------------|-----------|----------------|------------|
|             |     | 材質<br>MATERIAL | SEE NOTES | 品名<br>TITLE    | FAN GUARD  |
| 尺度<br>SCALE | 1/1 | 處理<br>FINISH   | SEE NOTES | 圖號<br>PART NO. | CY-FG08-F5 |

Chan Yu Technology Co., Ltd

| 版次<br>EDITION | 年月日<br>DATE | 變更事項<br>REVISION RECORD | 變更通知<br>REVISION NO. | 核准<br>APPROVED |
|---------------|-------------|-------------------------|----------------------|----------------|
|               |             |                         |                      |                |



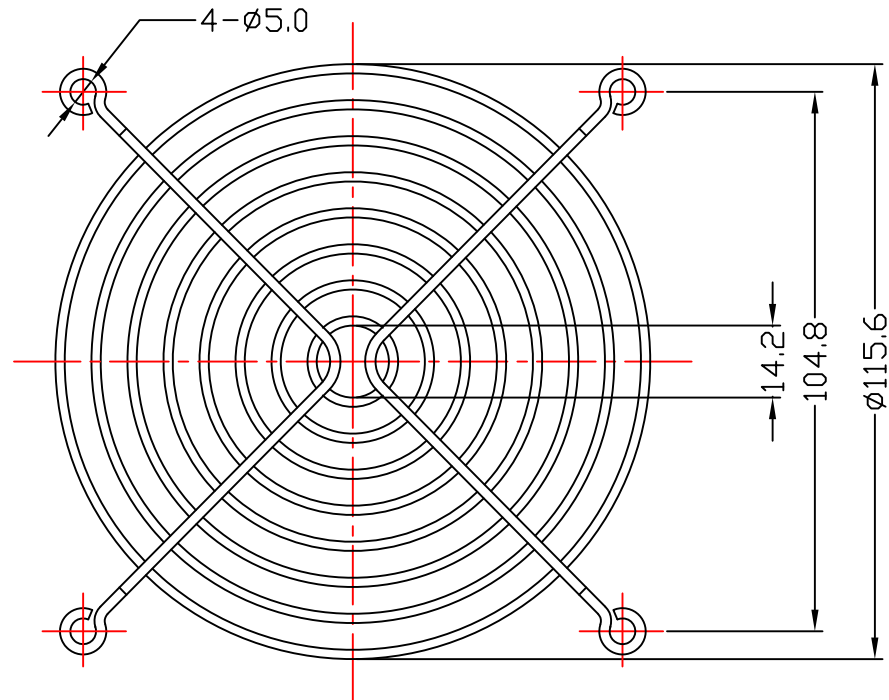
NOTES(注):

- 1.MATERIAL: BRIGHT BASIC WIRE.  
(1.材質:光澤金屬線)
- 2.FINISH: BRIGHT NICKEL CHROME.  
(2.處理: 表面光澤電鍍)
- 3.(1)RINGS(環圈) ARE  $\phi 1.6\text{mm}$ .  
(2)RIBS(支架) ARE  $\phi 1.8\text{mm}$ .
- 4.GENERAL TOLERANCE UNLESS NOTED:  $\pm 0.5\text{mm}$ .  
(4.未標注公差為:  $\pm 0.5\text{mm}$ )
- 5.UNIT(單位):mm.

|             |     |                |           |                |           |          |
|-------------|-----|----------------|-----------|----------------|-----------|----------|
|             |     | 材質<br>MATERIAL | SEE NOTES | 品名<br>TITLE    | FAN GUARD |          |
| 尺度<br>SCALE | 1/1 | 處理<br>FINISH   | SEE NOTES | 圖號<br>PART NO. | CY-FG09   | 0<br>REV |

Chan Yu Technology Co., Ltd

|               |             |                         |                      |                |
|---------------|-------------|-------------------------|----------------------|----------------|
| 版次<br>EDITION | 年月日<br>DATE | 變更事項<br>REVISION RECORD | 變更通知<br>REVISION NO. | 核准<br>APPROVED |
|               |             |                         |                      |                |



NOTES(注):

1.MATERIAL: BRIGHT BASIC WIRE.

(1.材質:光澤金屬線)

2.FINISH:BRIGHT NICKEL CHROME.

(2.處理: 表面光澤電鍍)

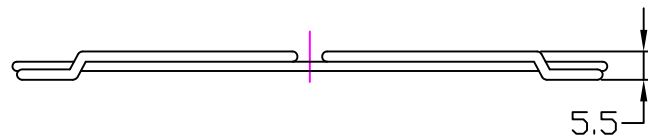
3.(1)RINGS(環圈) ARE  $\varnothing 1.8\text{mm}$ .

(2)RIBS(支架) ARE  $\varnothing 1.8\text{mm}$ .

4.GENERAL TOLERANCE UNLESS NOTED: $\pm 0.5\text{mm}$ .

(4.未標注公差為:  $\pm 0.5\text{mm}$ )

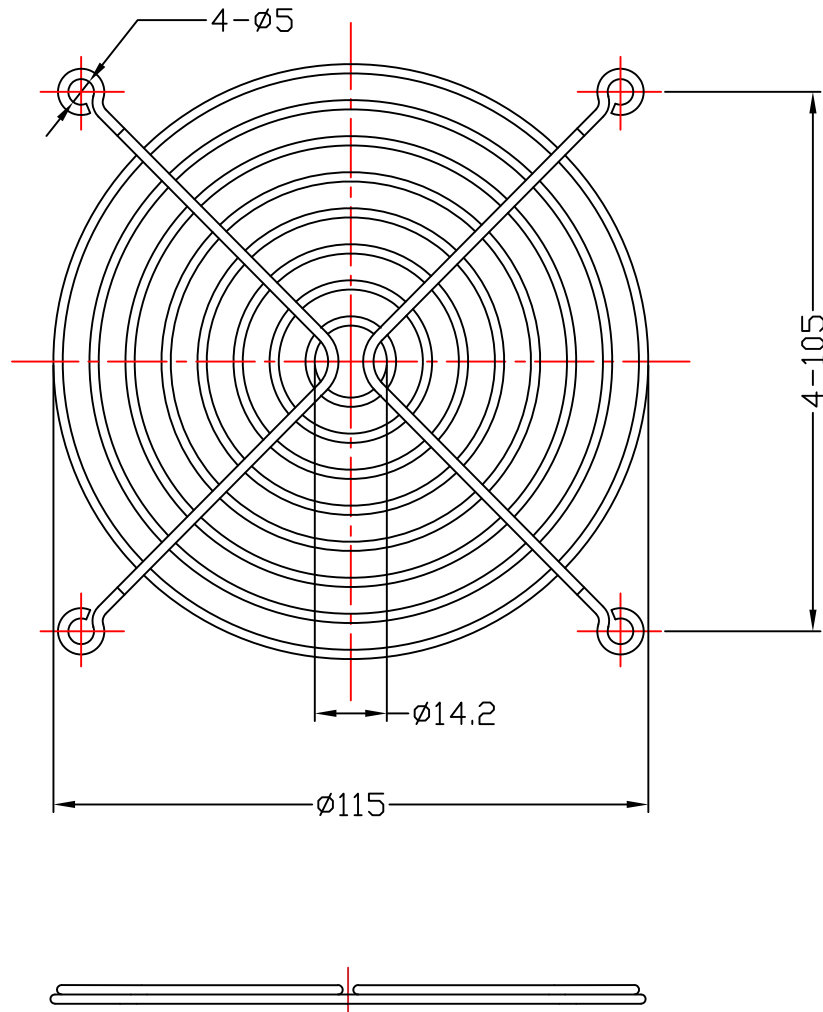
5.UNIT(單位):mm.



|             |        |                |           |                |           |          |
|-------------|--------|----------------|-----------|----------------|-----------|----------|
|             |        | 材質<br>MATERIAL | SEE NOTES | 品名<br>TITLE    | FAN GUARD |          |
| 尺度<br>SCALE | 1<br>1 | 處理<br>FINISH   | SEE NOTES | 圖號<br>PART NO. | CY-FG12   | 0<br>REV |

Chan Yu Technology Co., Ltd

|               |             |                         |                      |                |
|---------------|-------------|-------------------------|----------------------|----------------|
| 版次<br>EDITION | 年月日<br>DATE | 變更事項<br>REVISION RECORD | 變更通知<br>REVISION NO. | 核准<br>APPROVED |
|               |             |                         |                      |                |



NOTES(注):

1.MATERIAL: BRIGHT BASIC WIRE.

(1.材質:光澤金屬線)

2.FINISH:BRIGHT NICKEL CHROME.

(2.處理: 表面光澤電鍍)

3.(1)RINGS(環圈) ARE  $\phi$  1.8mm.

(2)RIBS(支架) ARE  $\phi$  1.8mm.

4.GENERAL TOLERANCE UNLESS NOTED: $\pm$ 0.5mm.

(4.未標注公差為:  $\pm$ 0.5mm)

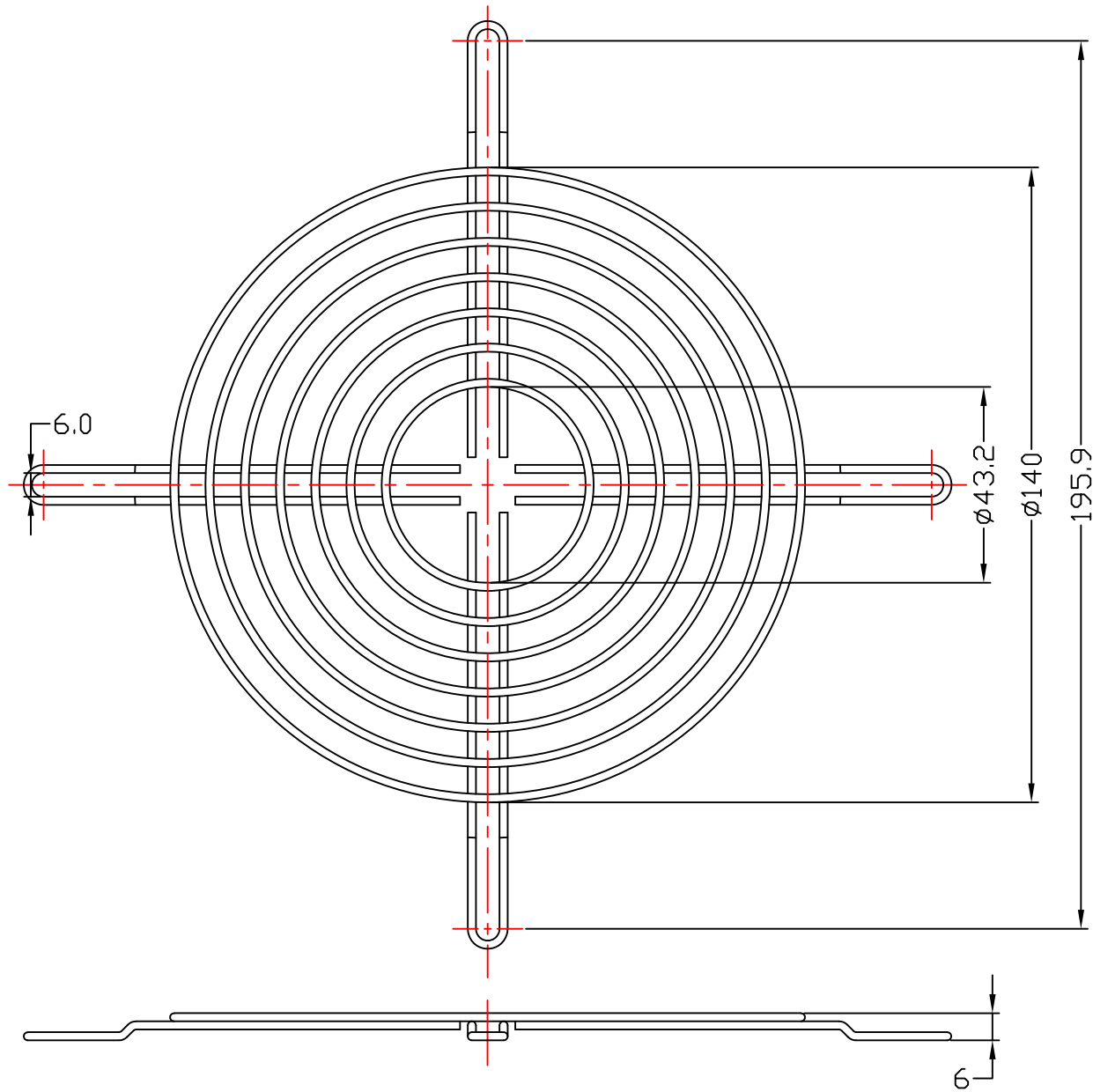
5.UNIT(單位):mm.

|             |        |                |           |                |           |          |
|-------------|--------|----------------|-----------|----------------|-----------|----------|
|             |        | 材質<br>MATERIAL | SEE NOTES | 品名<br>TITLE    | FAN GUARD |          |
| 尺度<br>SCALE | 1<br>1 | 處理<br>FINISH   | SEE NOTES | 圖號<br>PART NO. | CY-FG12F  | 0<br>REV |

Chan Yu Technology Co., Ltd



|               |             |                         |                      |                |
|---------------|-------------|-------------------------|----------------------|----------------|
| 版次<br>EDITION | 年月日<br>DATE | 變更事項<br>REVISION RECORD | 變更通知<br>REVISION NO. | 核准<br>APPROVED |
|               |             |                         |                      |                |



NOTES(注):

1.MATERIAL: BRIGHT BASIC WIRE.

(1.材質:光澤金屬線)

2.FINISH: BRIGHT NICKEL CHROME.

(2.處理: 表面光澤電鍍)

3.(1)RINGS(環圈) ARE  $\phi$  1.8mm.

(2)RIBS(支架) ARE  $\phi$  1.8mm.

4.GENERAL TOLERANCE UNLESS NOTED:  $\pm$ 1.0mm.

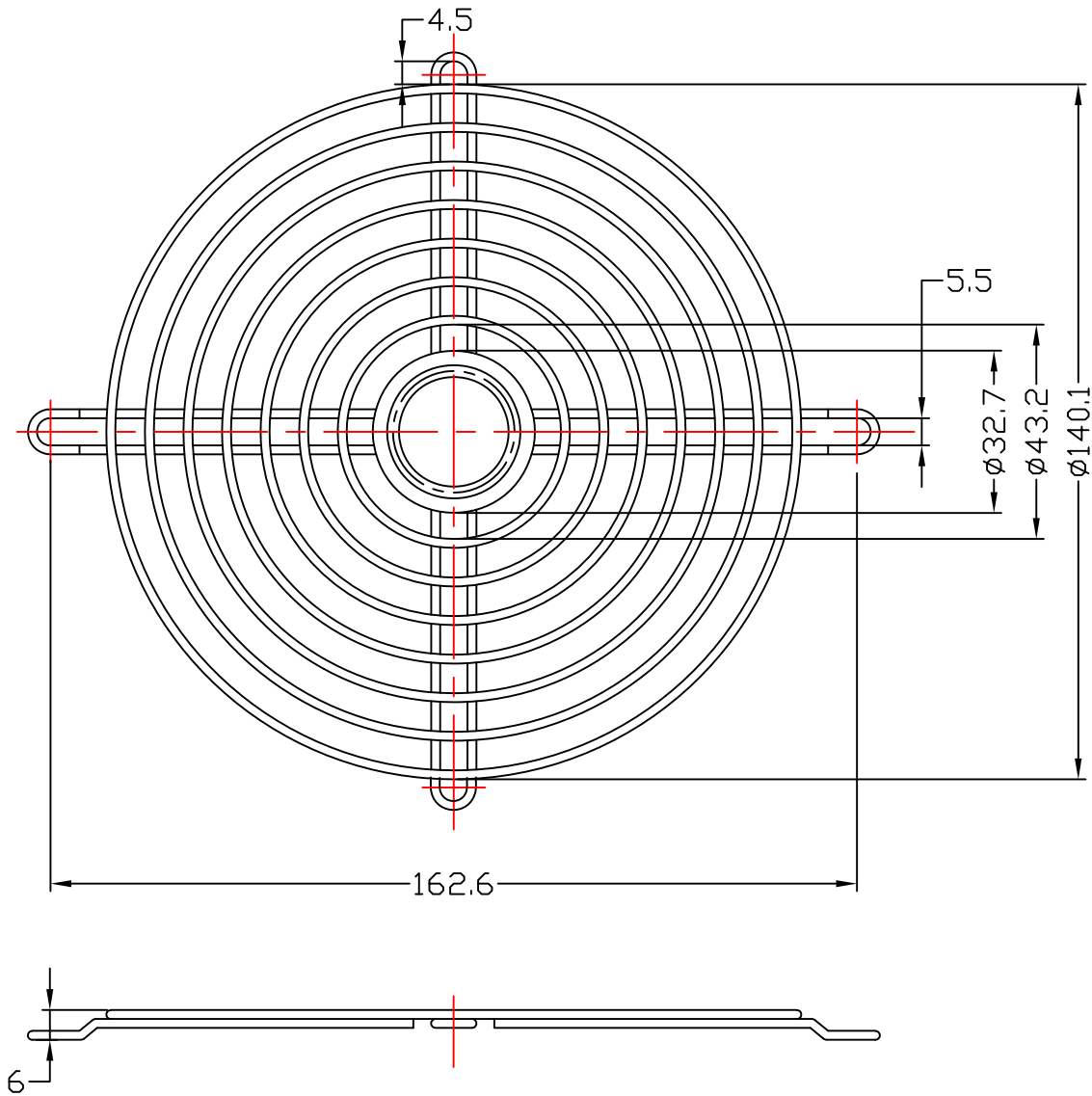
(4.未標注公差為:  $\pm$ 1.0mm)

5.UNIT(單位):mm.

|             |        |                |           |                |           |          |
|-------------|--------|----------------|-----------|----------------|-----------|----------|
|             |        | 材質<br>MATERIAL | SEE NOTES | 品名<br>TITLE    | FAN GUARD |          |
| 尺度<br>SCALE | 1<br>1 | 處理<br>FINISH   | SEE NOTES | 圖號<br>PART NO. | CY-FG16   | 0<br>REV |

Chan Yu Technology Co., Ltd

| 版次<br>EDITION | 年月日<br>DATE | 變更事項<br>REVISION RECORD | 變更通知<br>REVISION NO. | 核准<br>APPROVED |
|---------------|-------------|-------------------------|----------------------|----------------|
|               |             |                         |                      |                |



NOTES(注):

1.MATERIAL: BRIGHT BASIC WIRE.

(1.材質:光澤金屬線)

2.FINISH: BRIGHT NICKEL CHROME.

(2.處理: 表面光澤電鍍)

3.(1)RINGS(環圈) ARE  $\phi$  1.8mm.

(2)RIBS(支架) ARE  $\phi$  1.8mm.

(3)DISC(鐵板) T=1.0mm.

4.GENERAL TOLERANCE UNLESS NOTED:  $\pm 0.5$ mm.

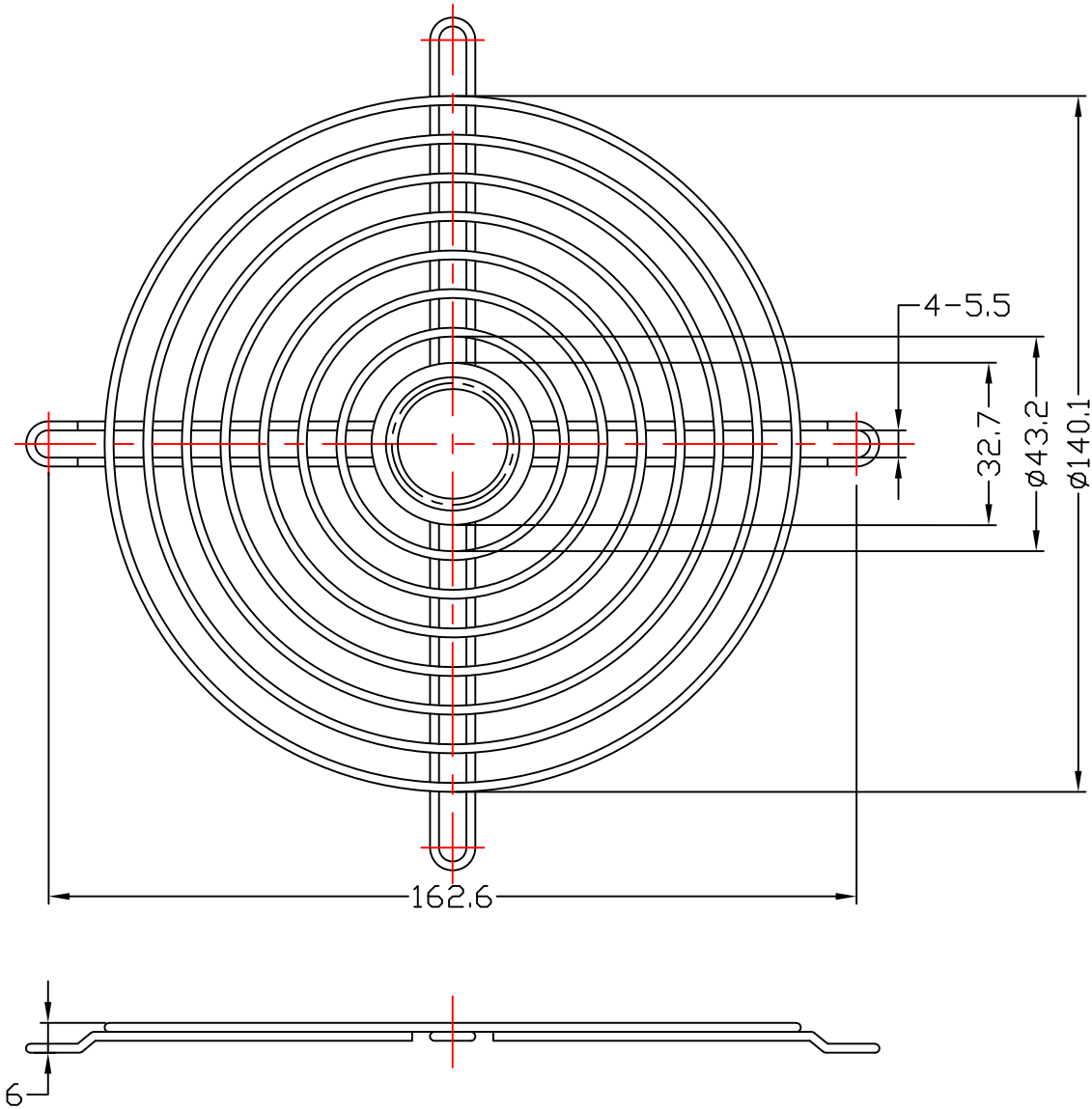
(4.未標注公差為:  $\pm 0.5$ mm)

5.UNIT(單位):mm.

|             |     |                |           |                |           |                  |
|-------------|-----|----------------|-----------|----------------|-----------|------------------|
|             |     | 材質<br>MATERIAL | SEE NOTES | 品名<br>TITLE    | FAN GUARD |                  |
| 尺度<br>SCALE | 1/1 | 處理<br>FINISH   | SEE NOTES | 圖號<br>PART NO. | CY-FG17   | <sup>0</sup> REV |

Chan Yu Technology Co., Ltd

| 版次<br>EDITION | 年月日<br>DATE | 變更事項<br>REVISION RECORD | 變更通知<br>REVISION NO. | 核准<br>APPROVED |
|---------------|-------------|-------------------------|----------------------|----------------|
|               |             |                         |                      |                |



NOTES(注):

1.MATERIAL: BRIGHT BASIC WIRE.

(1.材質:光澤金屬線)

2.FINISH: BRIGHT NICKEL CHROME.

(2.處理: 表面光澤電鍍)

3.(1)RINGS(環圈) ARE  $\phi$  1.8mm.

(2)RIBS(支架) ARE  $\phi$  1.8mm.

(3)DISC(鐵板) T=1.0mm.

4.GENERAL TOLERANCE UNLESS NOTED:  $\pm 0.5$ mm.

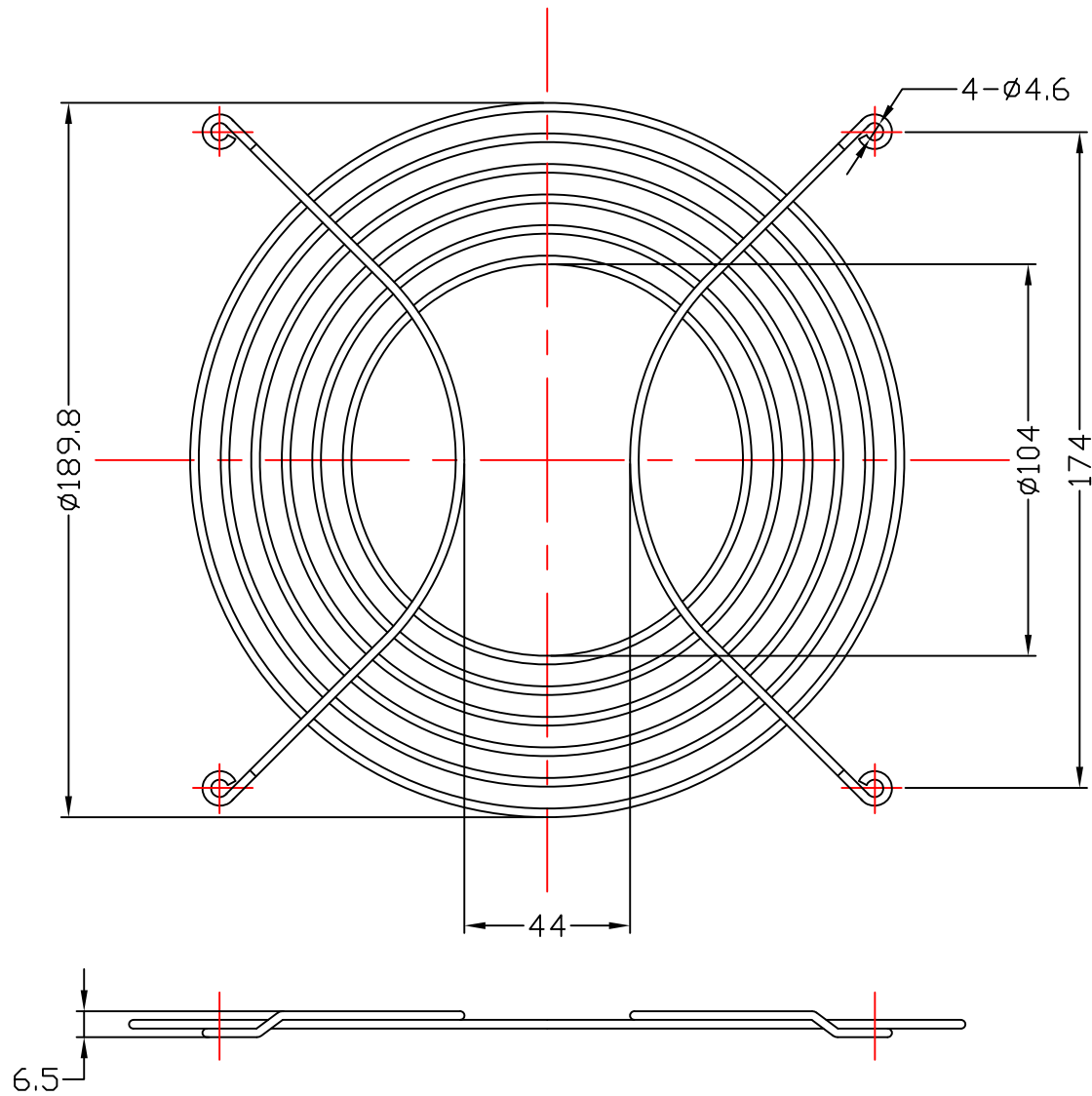
(4.未標注公差為:  $\pm 0.5$ mm)

5.UNIT(單位):mm.

|             |        |                |           |                |           |          |
|-------------|--------|----------------|-----------|----------------|-----------|----------|
|             |        | 材質<br>MATERIAL | SEE NOTES | 品名<br>TITLE    | FAN GUARD |          |
| 尺度<br>SCALE | 1<br>1 | 處理<br>FINISH   | SEE NOTES | 圖號<br>PART NO. | CY-FG17L  | 0<br>REV |

Chan Yu Technology Co., Ltd

|               |             |                         |                      |                |
|---------------|-------------|-------------------------|----------------------|----------------|
| 版次<br>EDITION | 年月日<br>DATE | 變更事項<br>REVISION RECORD | 變更通知<br>REVISION NO. | 核准<br>APPROVED |
|               |             |                         |                      |                |



NOTES(注):

1.MATERIAL: BRIGHT BASIC WIRE.

(1.材質:光澤金屬線)

2.FINISH:BRIGHT NICKEL CHROME.

(2.處理:表面光澤電鍍)

3.(1)RINGS(環圈) ARE  $\phi 2.3$ mm.

(2)RIBS(支架) ARE  $\phi 2.3$ mm.

4.GENERAL TOLERANCE UNLESS NOTED: $\pm 1.0$ mm.

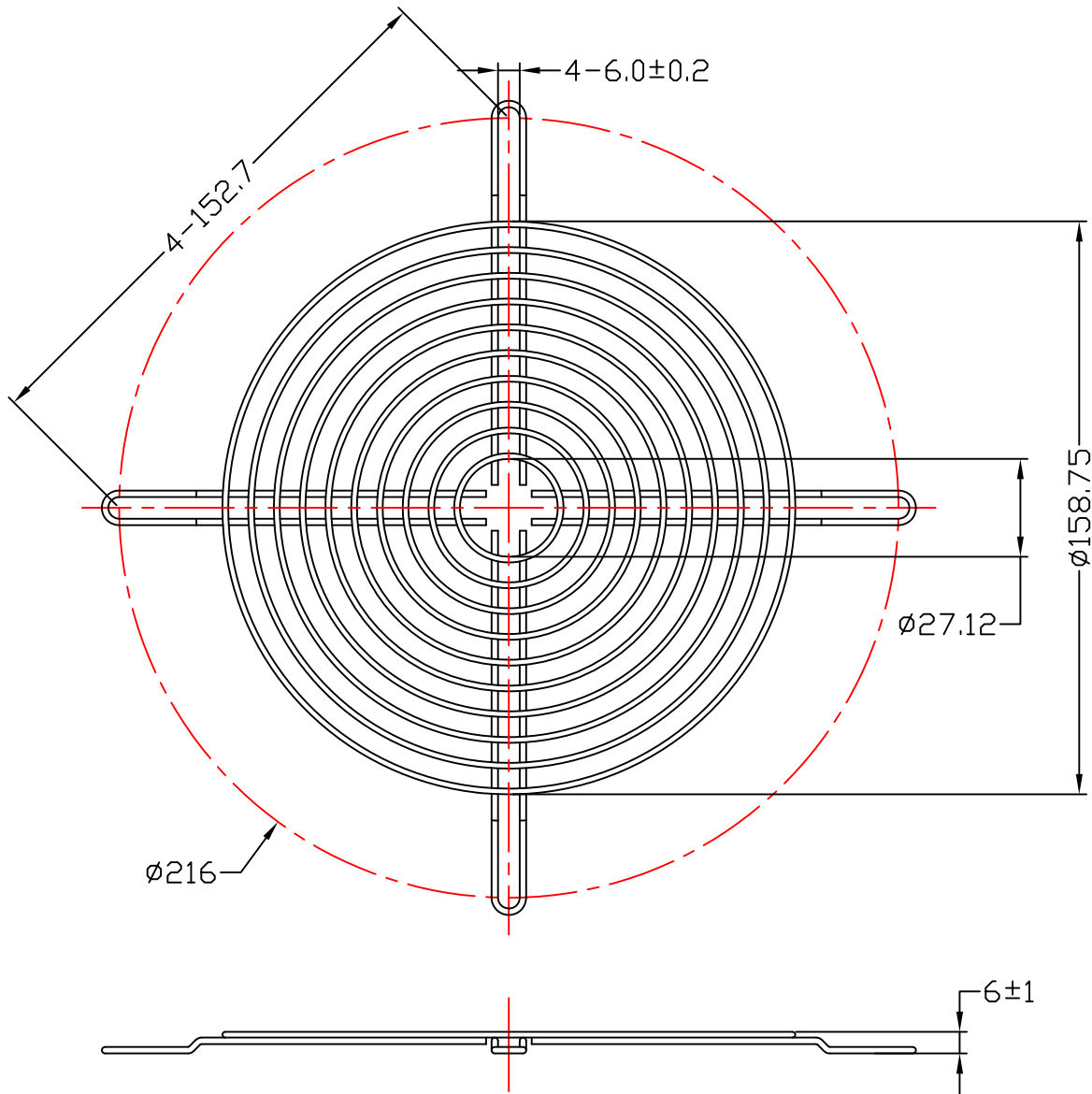
(4.未標注公差為: $\pm 1.0$ mm)

5.UNIT(單位):mm.

|             |        |                |           |                |           |          |
|-------------|--------|----------------|-----------|----------------|-----------|----------|
|             |        | 材質<br>MATERIAL | SEE NOTES | 品名<br>TITLE    | FAN GUARD |          |
| 尺度<br>SCALE | 1<br>2 | 處理<br>FINISH   | SEE NOTES | 圖號<br>PART NO. | CY-FG20   | 0<br>REV |

Chan Yu Technology Co., Ltd

| 版次<br>EDITION | 年月日<br>DATE | 變更事項<br>REVISION RECORD | 變更通知<br>REVISION NO. | 核准<br>APPROVED |
|---------------|-------------|-------------------------|----------------------|----------------|
|               |             |                         |                      |                |



NOTES(注):

1.MATERIAL:C1006 BRIGHT BASIC WIRE.

(1.材質: C1006光澤金屬線)

2.FINISH:BRIGHT NICKEL CHROME.

(2.處理: 表面光澤電鍍)

3.(1)RINGS(環圈) ARE  $\phi$  1.6mm.

(2)RIBS(支架) ARE  $\phi$  1.8mm.

4.GENERAL TOLERANCE UNLESS NOTED: $\pm$ 0.5mm.

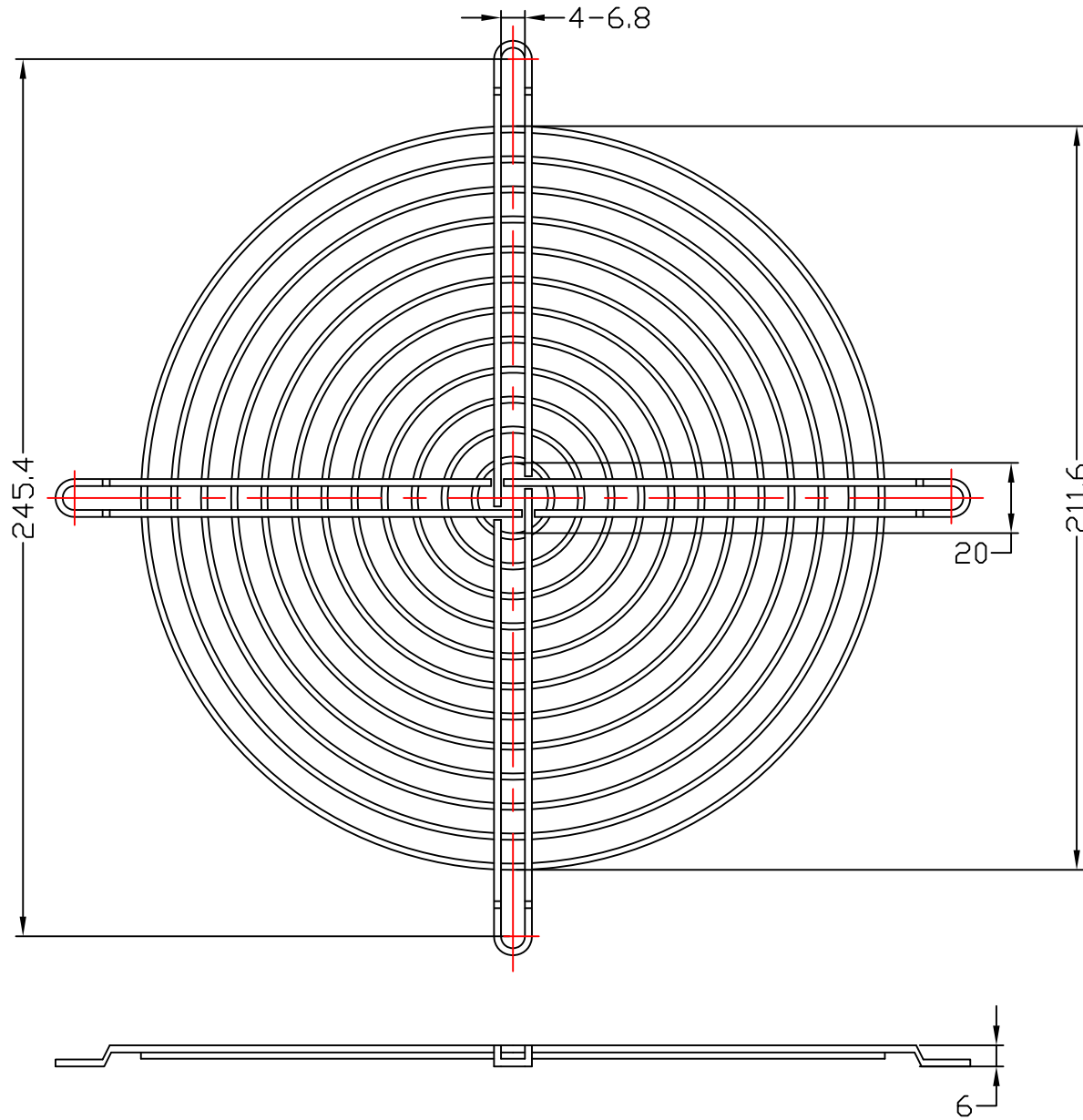
(4.未標注公差為:  $\pm$ 0.5mm)

5.UNIT(單位):mm.

|             |        |                |           |                |           |                     |
|-------------|--------|----------------|-----------|----------------|-----------|---------------------|
|             |        | 材質<br>MATERIAL | SEE NOTES | 品名<br>TITLE    | FAN GUARD |                     |
| 尺度<br>SCALE | 1<br>2 | 處理<br>FINISH   | SEE NOTES | 圖號<br>PART NO. | CY-FG21   | <sup>0</sup><br>REV |

Chan Yu Technology Co., Ltd

|               |             |                         |                      |                |
|---------------|-------------|-------------------------|----------------------|----------------|
| 版次<br>EDITION | 年月日<br>DATE | 變更事項<br>REVISION RECORD | 變更通知<br>REVISION NO. | 核准<br>APPROVED |
|               |             |                         |                      |                |



NOTES(注):

1.MATERIAL: BRIGHT BASIC WIRE.

(1.材質:光澤金屬線)

2.FINISH: BRIGHT NICKEL CHROME.

(2.處理: 表面光澤電鍍)

3.(1)RINGS(環圈) ARE  $\phi$  1.8mm.

(2)RIBS(支架) ARE  $\phi$  2.0mm.

4.GENERAL TOLERANCE UNLESS NOTED:  $\pm 1.0$ mm.

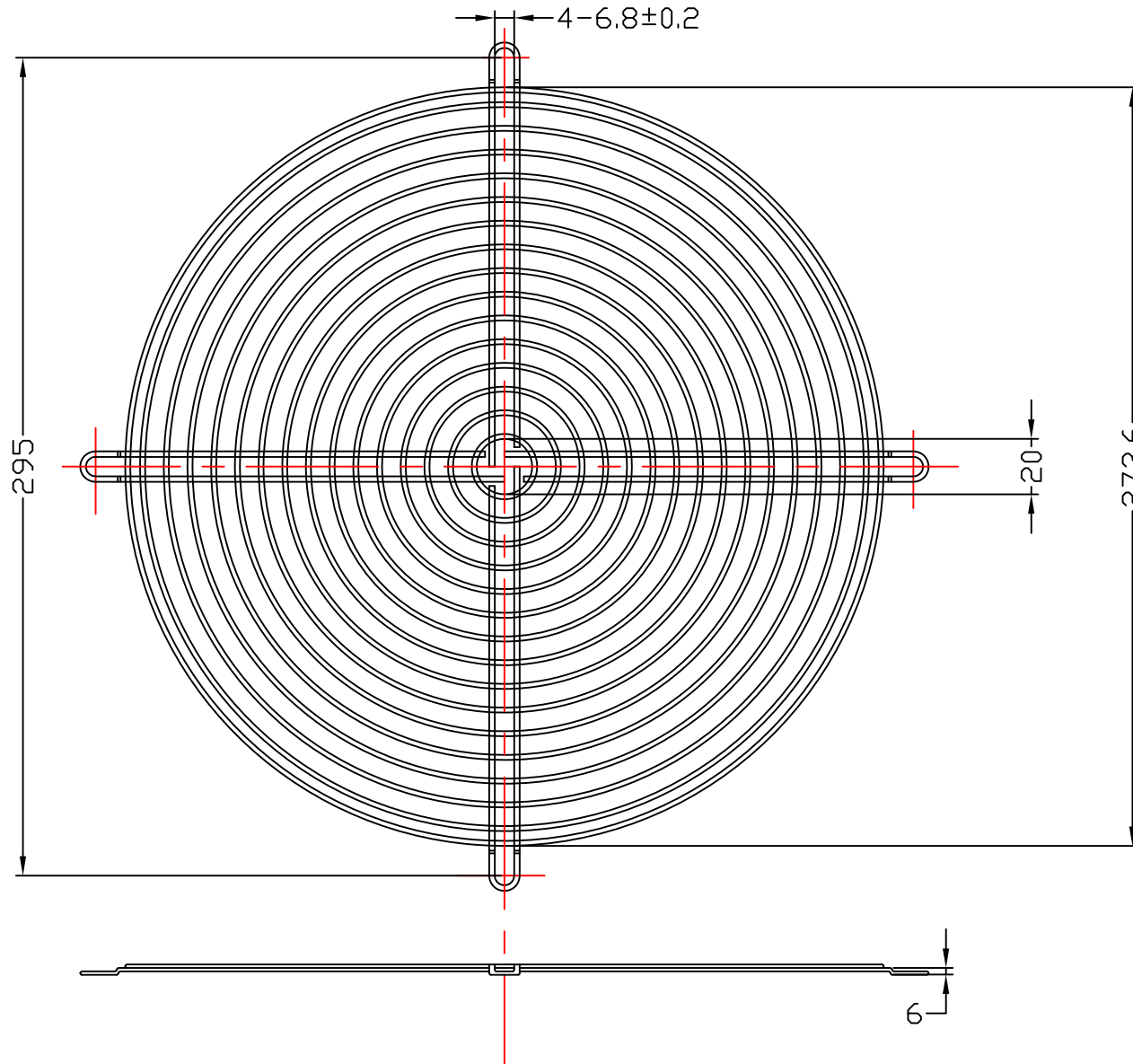
(4.未標注公差為:  $\pm 1.0$ mm)

5.UNIT(單位):mm.

|             |        |                |           |                |           |          |
|-------------|--------|----------------|-----------|----------------|-----------|----------|
|             |        | 材質<br>MATERIAL | SEE NOTES | 品名<br>TITLE    | FAN GUARD |          |
| 尺度<br>SCALE | 1<br>2 | 處理<br>FINISH   | SEE NOTES | 圖號<br>PART NO. | CY-FG25   | 0<br>REV |

Chan Yu Technology Co., Ltd

|               |             |                         |                      |                |
|---------------|-------------|-------------------------|----------------------|----------------|
| 版次<br>EDITION | 年月日<br>DATE | 變更事項<br>REVISION RECORD | 變更通知<br>REVISION NO. | 核准<br>APPROVED |
|               |             |                         |                      |                |



NOTES(注):

- 1.MATERIAL:C1006 BRIGHT BASIC WIRE.  
(1.材質: C1006光澤金屬線)
- 2.FINISH:BRIGHT NICKEL CHROME.  
(2.處理: 表面光澤電鍍)
- 3.(1)RINGS(環圈) ARE  $\varnothing 1.8\text{mm}$ .  
(2)RIBS(支架) ARE  $\varnothing 2.0\text{mm}$ .
- 4.GENERAL TOLERANCE UNLESS NOTED: $\pm 0.76\text{mm}$ .  
(6.未標注公差為:  $\pm 0.76\text{mm}$ )
- 5.UNIT(單位):mm.

|  |                |           |                |           |          |
|--|----------------|-----------|----------------|-----------|----------|
|  | 材質<br>MATERIAL | SEE NOTES | 品名<br>TITLE    | FAN GUARD |          |
|  | 處理<br>FINISH   | SEE NOTES | 圖號<br>PART NO. | CY-FG28   | 0<br>REV |

Chan Yu Technology Co., Ltd